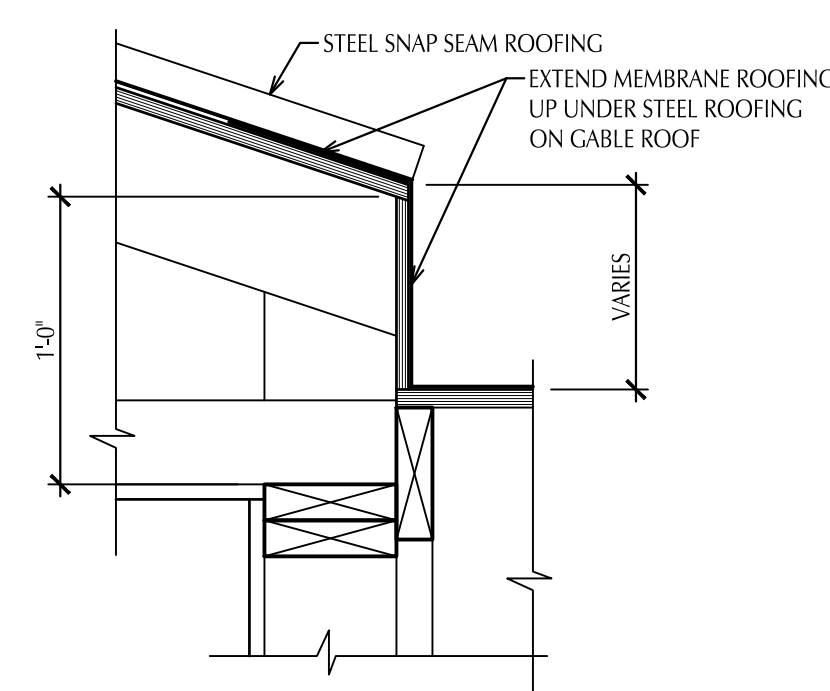
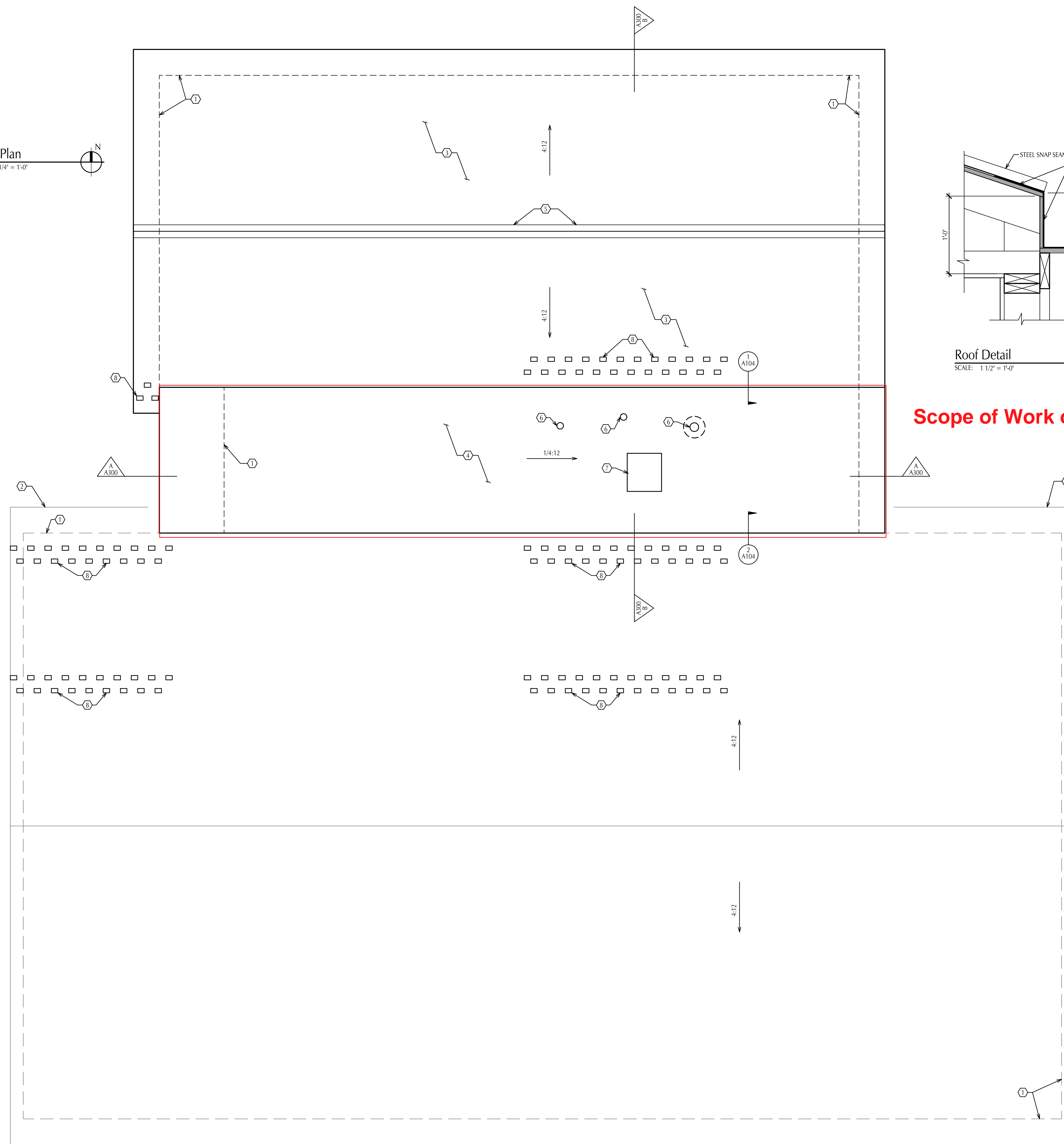


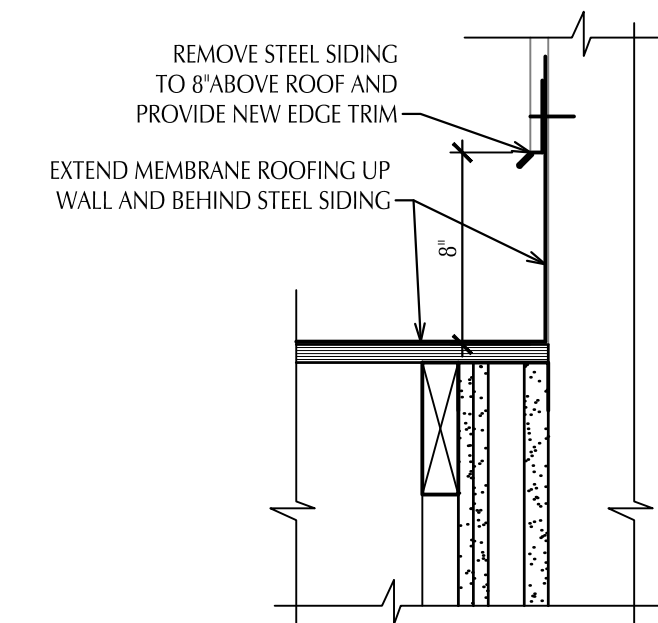
# Keynotes

1. Line of wall below.
2. Existing roof above to remain.
3. Snap seam steel roofing per 07 61 00 over underlayment. Provide two courses ice and water shield at eaves.
4. Membrane roofing per 07 53 23 on flat roof.
5. Continuous ridge vent cap to match roofing.
6. Provide flashing at mechanical penetrations through the roof.
7. Provide slip sheet under condensing unit on roof.
8. Provide snow guards per 07 61 00 as shown.

Roof Plan  
SCALE: 1/4" = 1'-0"



Roof Detail 1  
SCALE: 1 1/2" = 1'-0"



Roof Detail 2  
SCALE: 1 1/2" = 1'-0"

**Scope of Work only to include area outlined in red**

# General Notes

1. All work on this drawing is included in Bid Item 2.

County of Marquette  
Sheriff's Office Building Addition  
Negaunee, Michigan

## Roof Plan

ISSUED FOR: Client Review 6-7-2022  
Bids 6-23-2022

**NORTHERN DESIGN WORKS** **A104**  
PROJECT NO. 2217