

2 REVISED ELECTRICAL RISER DIAGRAM
SCALE: NTS

- DEMOLITION NOTES**
- ◇ EXISTING EQUIPMENT TO REMAIN
 - ◇ DISCONNECT AND REMOVE EXISTING EQUIPMENT. REMOVE ASSOCIATED CONDUIT AND WIRE.
 - ◇ DISCONNECT AND RELOCATE EXISTING EQUIPMENT. REMOVE ASSOCIATED CONDUIT AND WIRE.

- ELECTRICAL KEY NOTES**
- CONTRACTOR SHALL EXTEND EXISTING WIRE AND CONDUIT AND RECONNECT TO BREAKER.

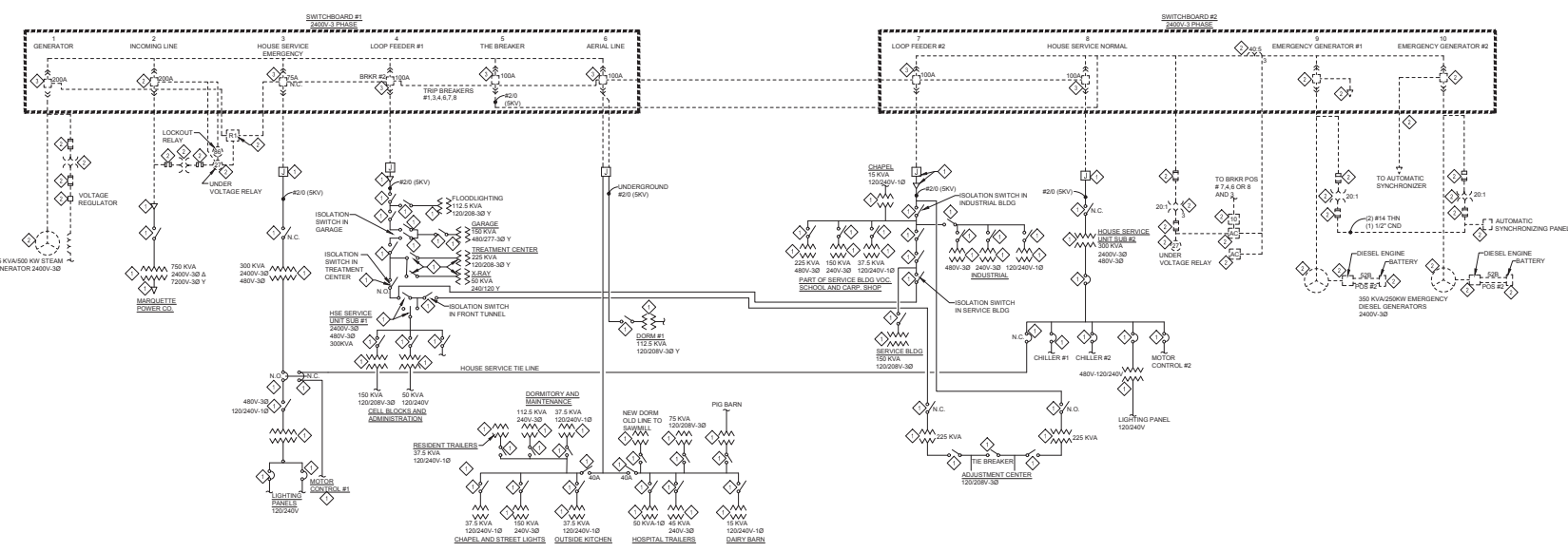
1000-00	1000-00
1000-00	1000-00
1000-00	1000-00
1000-00	1000-00
1000-00	1000-00



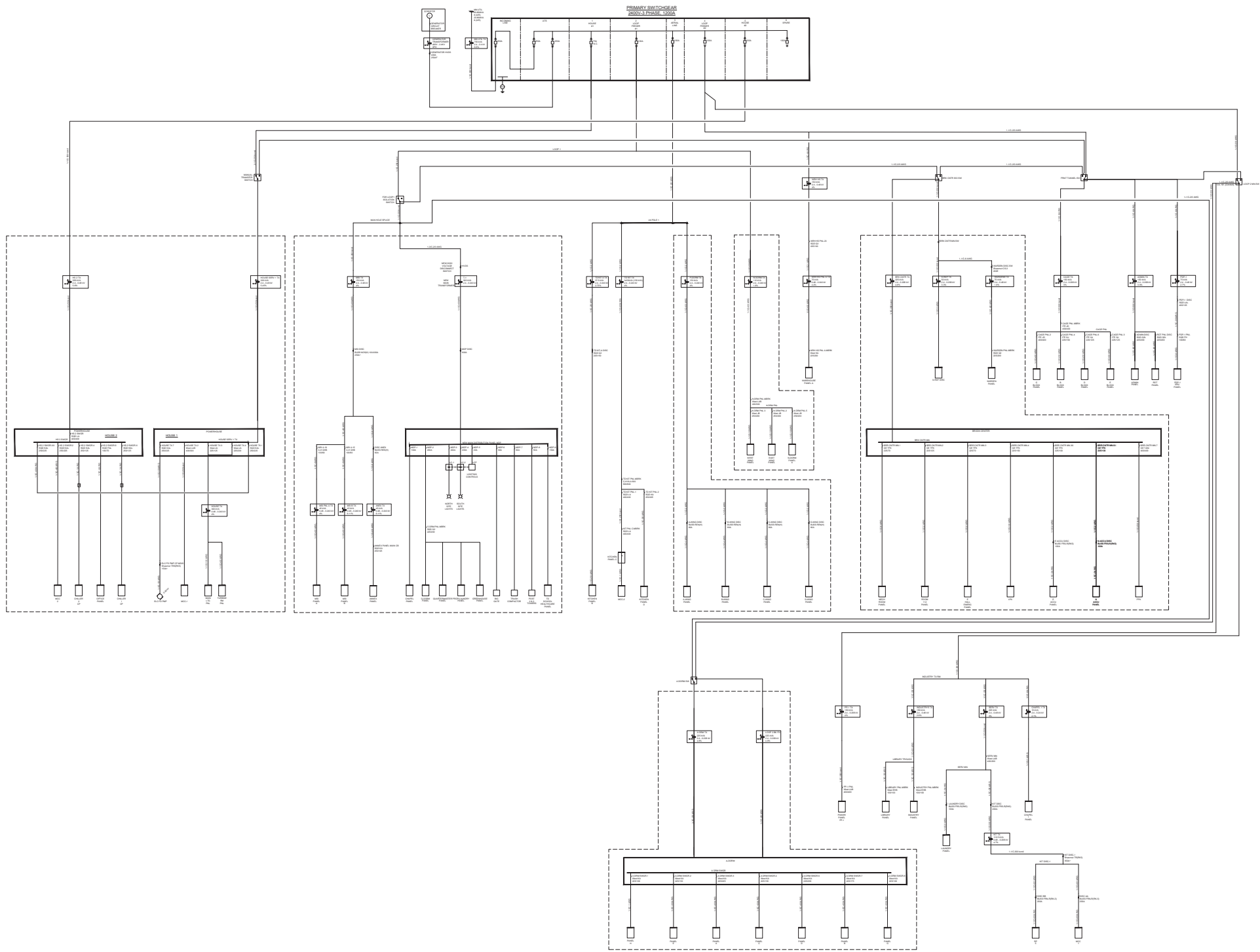
MARQUETTE BRANCH PRISON
GENERATOR AND SWITCHGEAR UPGRADE
1960 US-41
MARQUETTE, MICHIGAN

STATE OF MICHIGAN
DEPARTMENT OF CORRECTIONS
FACTORY AND INDUSTRIAL SERVICES DIVISION
DESIGN AND CONSTRUCTION DIVISION
ROBERT C. HALL, DA, NCMB, DIRECTOR

1000-00	1000-00
1000-00	1000-00
1000-00	1000-00
1000-00	1000-00
1000-00	1000-00



1 DEMO ELECTRICAL RISER DIAGRAM
SCALE: NTS



MARQUETTE BRANCH PRISON
 REPLACEMENT OF
 SUBSTATION TRANSFORMERS
 MARQUETTE, MICHIGAN

STATE OF MICHIGAN
 DEPARTMENT OF TECHNOLOGY, MANAGEMENT AND BUREAU
 FACILITIES AND BUSINESS SERVICES ADMINISTRATION
 DESIGN AND CONSTRUCTION DIVISION
 ROBERT C. HALL, JR., AGENCY DIRECTOR

