

### GENERAL NOTES - ELECTRICAL

1. ALL ELECTRICAL INSTALLATIONS SHALL BE IN ACCORDANCE WITH THE CURRENT NATIONAL ELECTRICAL CODE AND ANY STATE/LOCAL AMENDMENTS.
2. THE ELECTRICAL CONTRACTOR SHALL BE RESPONSIBLE FOR THE ACQUISITION OF AN ELECTRICAL PERMIT AND SCHEDULING OF THE NECESSARY INSPECTIONS. UPON COMPLETION OF THE WORK THE ELECTRICAL CONTRACTOR SHALL PROVIDE THE OWNER EVIDENCE OF INSPECTION APPROVAL.
3. THE ELECTRICAL CONTRACTOR SHALL BE RESPONSIBLE FOR ALL COORDINATION REQUIRED WITH THE ELECTRIC UTILITY SERVING THE FACILITY. UTILITY COSTS SHALL BE PAID SEPARATELY BY THE OWNER.



ARCHITECTS ENGINEERS PLANNERS  
424 Hancock Street  
Hancock, MI 49930  
PH 906.482.0535 | F 906.482.6453

OHM-ADVISORS.COM

OHM PROJECT No.  
7136-22-0060

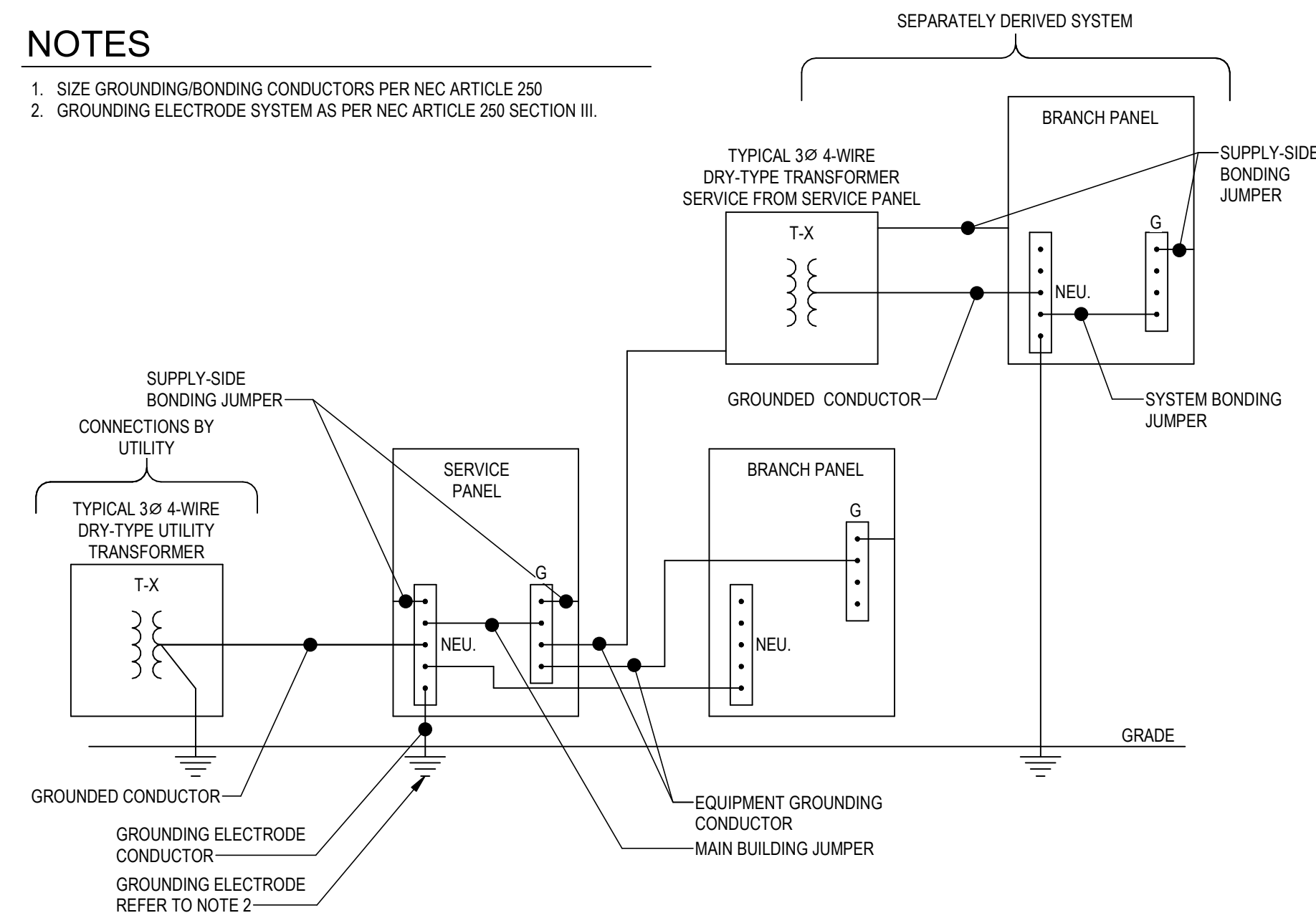
STATE OF MICHIGAN  
DEPARTMENT OF TECHNOLOGY, MANAGEMENT AND BUDGET  
STATE FACILITIES ADMINISTRATION  
DESIGN AND CONSTRUCTION DIVISION  
ADAM P. LACH, RA, DIRECTOR

### ELEC. ABBR.

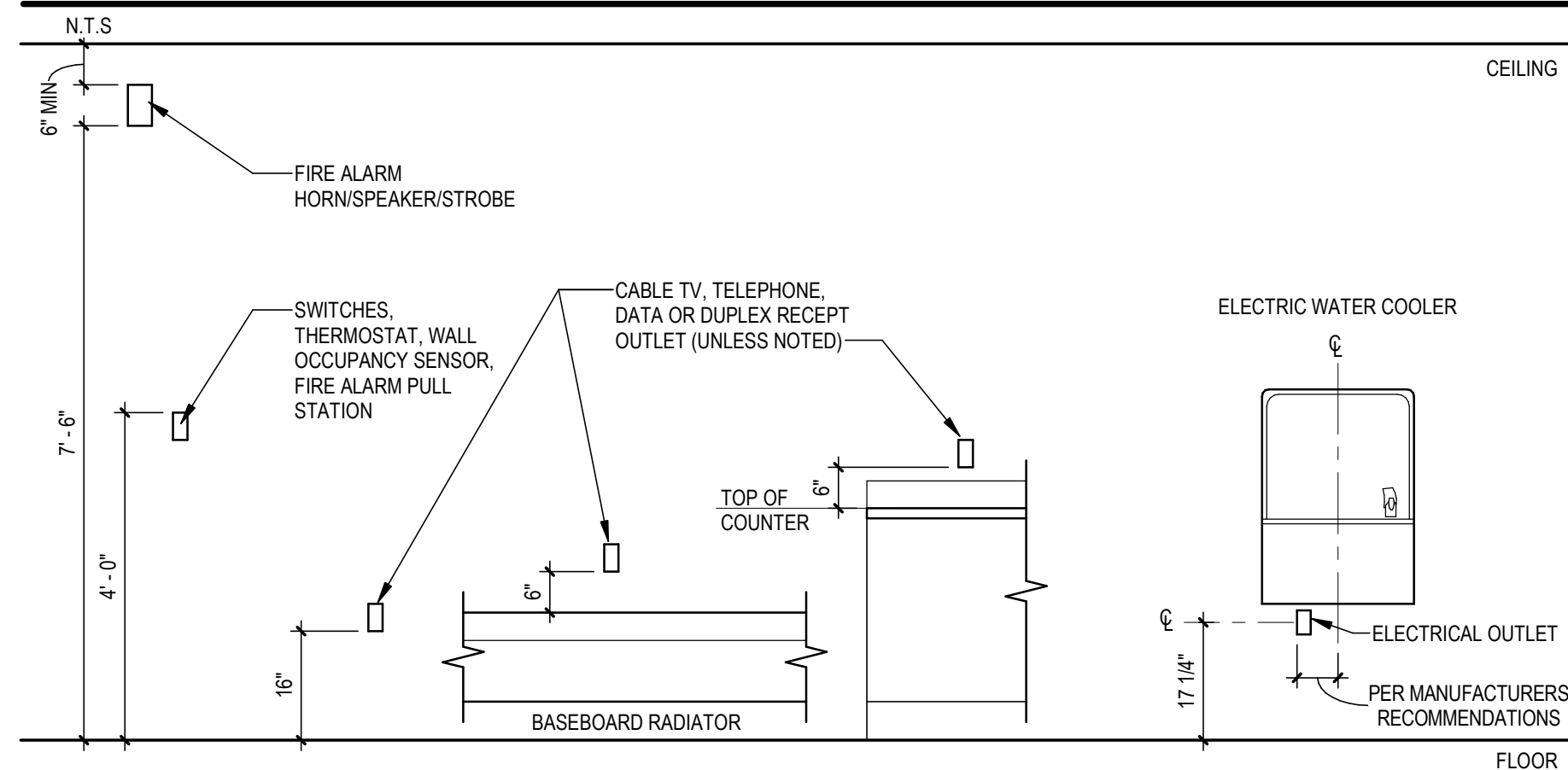
Φ	SPECIAL PHASE
A	AMPERE
AFF	ABOVE FINISHED FLOOR
C	CONDUIT
CAT	CATALOGUE
CB	CIRCUIT BREAKER
CMU	CONCRETE MASONRY UNIT
CO	COMPANY
CUH	CABINET UNIT HEATER
E	ELECTRICAL CONTRACTOR
EF	EXHAUST FAN
EWC	ELECTRIC WATER COOLER
F	FIRE ALARM
FA	FIRE ALARM
G	GROUND FAULT CIRCUIT INTERRUPTER
G	EQUIPMENT GROUND
GND	EQUIPMENT GROUND
H	HIGH INTENSITY DISCHARGE
HPS	HIGH PRESSURE SODIUM
HVAC	HEATING VENTILATING & AIR CONDITIONING
K	KEY OPERATED DEVICE
K	KEY OPERATED DEVICE
KVA	KILOVOLT-AMPERES
KW	KILOWATTS
L	LIGHT EMITTING DIODE
LED	LIGHT EMITTING DIODE
M	MAIN CIRCUIT BREAKER
MCB	MAIN CIRCUIT BREAKER
MDP	MAIN DISTRIBUTION PANEL
MH	METAL HALIDE
MISC	MISCELLANEOUS
MLO	MAIN LUG ONLY
MTD	MOUNTED
N	NEUTRAL
NEU	NEUTRAL
No.	NUMBER
P	PILOT
PL	PILOT
R	RECEPT
RECEPT	RECEPTACLE
T	TELEPHONE
TEL	TELEPHONE
TV	TELEVISION
TYP	TYPICAL
U	UNDERGROUND ELECTRIC
UGE	UNDERGROUND ELECTRIC
UH	UNIT HEATER
UNO	UNLESS NOTED OTHERWISE
V	VOLT
V	VOLT
VA	VOLT-AMPERES
W	WIRE
W	WIRE
WNC	WIRELESS NETWORK CONTROLLER
WP	WEATHERPROOF
X	TRANSFORMER
XFMR	TRANSFORMER

### GROUNDING BONDING DIAGRAM

N.T.S



### TYPICAL MOUNTING HEIGHTS



### ELECTRICAL SYMBOLS LEGEND

LIGHT FIXTURES	RECEPTACLE OUTLETS	FIRE ALARM SYSTEM
<ul style="list-style-type: none"> <li>Ⓛ (LF-1) LIGHT FIXTURE INDICATOR</li> <li>← HUB CONTROLLER</li> <li>→ LIGHTING ZONE</li> <li>□ SURFACE / CEILING MOUNT</li> <li>○ SURFACE / CEILING MOUNT</li> <li>● EMERGENCY SURFACE / CEILING MOUNT</li> <li>● PENDANT / CHAIN MOUNT</li> <li>● EMERGENCY PENDANT / CHAIN MOUNT</li> <li>○ RECESSED MOUNT</li> <li>○ EMERGENCY RECESSED MOUNT</li> <li>○ COMBINATION FAN / LIGHT</li> <li>○ TRACK STRIP</li> <li>○ WALL MOUNT</li> <li>○ EMERGENCY WALL MOUNT</li> <li>○ EXTERIOR POLE MOUNT</li> <li>○ EXTERIOR POST MOUNT</li> <li>○ EMERGENCY WALL PACK</li> <li>○ EXIT SIGN</li> <li>○ CEILING FAN</li> </ul>	<ul style="list-style-type: none"> <li>Ⓜ SIMPLEX RECEPTACLE</li> <li>Ⓜ DUPLEX GROUNDED RECEPTACLE</li> <li>Ⓜ MOUNTED ABOVE COUNTER</li> <li>Ⓜ GROUND FAULT CIRCUIT INTERRUPTER</li> <li>Ⓜ GFCI - MOUNTED ABOVE COUNTER</li> <li>Ⓜ DUAL USB PORTS</li> <li>Ⓜ DUAL USB PORTS ABOVE COUNTER</li> <li>Ⓜ WEATHERPROOF RECEPT &amp; COVER, GFI</li> <li>Ⓜ 208/240/480V, 1Φ STRAIGHT BLADE RECEPTACLE</li> <li>Ⓜ QUADRUPEX RECEPTACLE</li> <li>Ⓜ DUPLEX RECEPTACLE ON EMERGENCY POWER</li> <li>Ⓜ FLOOR BOX</li> <li>Ⓜ CEILING BOX</li> <li>Ⓜ SPECIALTY RECEPTACLE</li> </ul>	<ul style="list-style-type: none"> <li>Ⓜ OUTDOOR BELL / CHIME</li> <li>Ⓜ SMOKE DETECTOR</li> <li>Ⓜ SMOKE DETECTOR WITH AUDIBLE BASE</li> <li>Ⓜ SMOKE/CARBON MONOXIDE DETECTOR</li> <li>Ⓜ DUCT SMOKE DETECTOR</li> <li>Ⓜ HEAT DETECTOR</li> <li>Ⓜ FIRE ALARM HORN/STROBE</li> <li>Ⓜ FIRE ALARM STROBE</li> <li>Ⓜ FIRE ALARM SPEAKER</li> <li>Ⓜ FIRE ALARM SPEAKER/STROBE</li> <li>Ⓜ FIRE ALARM PULL STATION</li> <li>Ⓜ ELECTROMAGNETIC DOOR HOLD OPEN</li> <li>Ⓜ END OF LINE RESISTOR</li> <li>Ⓜ FIRE ALARM FLOW SWITCH</li> <li>Ⓜ FIRE ALARM PRESSURE SWITCH</li> <li>Ⓜ FIRE ALARM TAMPER SWITCH</li> <li>Ⓜ FIRE ALARM ANNUNCIATOR PANEL</li> <li>Ⓜ FIRE ALARM CONTROL PANEL</li> <li>Ⓜ HOOD SUPPRESSION SYSTEM FIRE ALARM CONTACT</li> </ul>
SWITCHES	SENSORS	TELEPHONE/COMMUNICATIONS
<ul style="list-style-type: none"> <li>SWITCHES: X = DESIGNATION BELOW</li> <li>                  H = HUB CONTROLLER</li> <li>                  Z = LIGHTING ZONE</li> <li>1 SINGLE POLE</li> <li>2 TWO POLE</li> <li>3 THREE WAY</li> <li>4 FOUR WAY</li> <li>DM DIMMER</li> <li>FAN</li> <li>K KEY OPERATED</li> <li>LV LOW VOLTAGE</li> <li>M MOTION DETECTION</li> <li>O OCCUPANCY</li> <li>V VACANCY</li> <li>P PILOT LIGHT</li> <li>T TIMER</li> </ul>	<ul style="list-style-type: none"> <li>Ⓜ DAYLIGHT</li> <li>Ⓜ MOTION DETECTION</li> <li>Ⓜ OCCUPANCY</li> <li>Ⓜ LOW VOLTAGE</li> <li>Ⓜ MOTION DETECTION</li> <li>Ⓜ OCCUPANCY SENSOR</li> <li>Ⓜ PILOT LIGHT</li> <li>Ⓜ TIMER</li> </ul>	<ul style="list-style-type: none"> <li>Ⓜ (CLG) (WALL) (FLR) (FURN)</li> <li>X = NUMBER AND TYPE OF PORTS</li> <li>C COAXIAL PORT</li> <li>D DATA PORT</li> <li>H HDMI PORT</li> <li>P PHONE PORT</li> <li>W WIRELESS ACCESS POINT</li> </ul>
POWER DISTRIBUTION	SECURITY	OTHER SYMBOLS
<ul style="list-style-type: none"> <li>Ⓜ DISCONNECT SWITCH</li> <li>Ⓜ FUSED DISCONNECT SWITCH</li> <li>Ⓜ COMBINATION MOTOR STARTER WITH DISCONNECT SWITCH</li> <li>Ⓜ MOTOR STARTER</li> <li>Ⓜ ELECTRICAL METER</li> <li>DP## DISTRIBUTION PANEL</li> <li>PP## ELECTRICAL POWER PANEL SURFACE MOUNT</li> <li>PP## ELECTRICAL POWER PANEL FLUSH MOUNT</li> <li>LP## LIGHTING CONTROL PANEL</li> <li>Ⓜ RELAY</li> <li>Ⓜ ELECTRICAL TRANSFORMER</li> <li>Ⓜ ELECTRICAL PULL BOX</li> <li>Ⓜ JUNCTION BOX (CEILING) (WALL) (FLR)</li> <li>○ SINGLE PHASE MOTOR</li> <li>○ THREE PHASE MOTOR</li> <li>Ⓜ VARIABLE FREQUENCY DRIVE</li> </ul>	<ul style="list-style-type: none"> <li>Ⓜ PUSH BUTTON</li> <li>Ⓜ EMERGENCY STOP BUTTON</li> <li>Ⓜ PHOTOCELL</li> <li>Ⓜ CEILING MOUNTED PULL SWITCH</li> <li>Ⓜ WIRELESS NETWORK LIGHTING CONTROLLER (HUB) # = CONTROLLER INDICATOR</li> <li>Ⓜ LIGHTING CONTROL SCHEME NUMBER</li> <li>Ⓜ CARD READER</li> <li>Ⓜ MAGNETIC SWITCH (DOOR CONTACT)</li> <li>Ⓜ ELECTRONIC DOOR LOCK</li> <li>Ⓜ MOTORIZED DOOR OPERATOR</li> <li>Ⓜ ELECTRIC STRIKE</li> <li>Ⓜ KEYPAD ENTRY DEVICE</li> <li>Ⓜ ENTRANCE CALL SYSTEM</li> <li>Ⓜ SECURITY CAMERA</li> <li>Ⓜ PANIC ALARM SPEAKER/STROBE</li> </ul>	<ul style="list-style-type: none"> <li>Ⓜ SPEAKER</li> <li>Ⓜ INTERCOM CALL BOX</li> <li>Ⓜ BELL</li> <li>Ⓜ MICROPHONE JACK</li> <li>Ⓜ POWER SUPPLY</li> <li>Ⓜ REQUIRES WIRE GUARD</li> <li>Ⓜ NURSE CALL MAIN PANEL</li> <li>Ⓜ NURSE CALL PULL STATION</li> <li>Ⓜ NURSE CALL LIGHT</li> <li>Ⓜ CLOCK</li> <li>Ⓜ EQUIPMENT INDICATOR</li> <li>e INDICATES EXISTING</li> </ul>
RACEWAY NOTES	<ol style="list-style-type: none"> <li>1. MINIMUM SIZE OF RIGID CONDUIT SHALL BE 3/4".</li> <li>2. MINIMUM SIZE OF FLEX CONDUIT SHALL BE 1/2".</li> <li>3. MINIMUM SIZE WALL BOX IN CMU SHALL BE 4"x4".</li> <li>4. MINIMUM SIZE OF UNDERGROUND CONDUIT SHALL BE 1 1/4".</li> </ol>	

### ELECTRICAL NOTES AND SYMBOLS

Marquette Army Replace Boiler  
DEPARTMENT OF MILITARY & VETERANS AFFAIRS

95% REVIEW 2022/06/15

DESIGNED	Designer
DRAWN	Checker
CHECKED	APPROVED
APPROVED	APPROVED

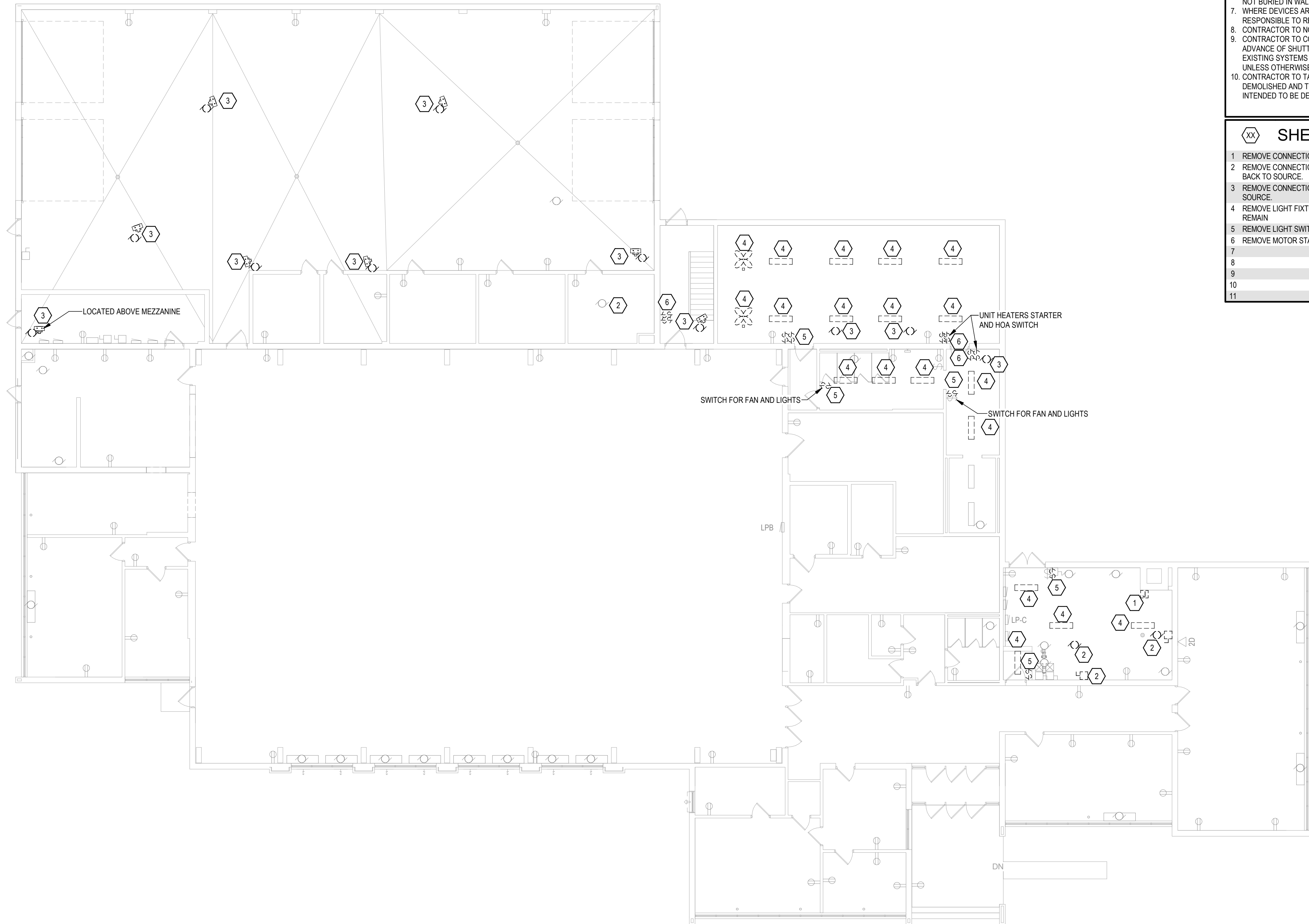
ISSUED FOR	DATE
PRELIMINARY CONSTRUCTION	2022/06/15
CONSTRUCTION	xxxx/xx/xx
FINAL RECORD	xxxx/xx/xx

IDENTIFICATION No.  
DTMB FILE NUMBER: 151122046 (BB)  
ACCOUNTING TEMP: 260221038

SHEET E-001

# 1 1ST FLOOR ELECTRICAL DEMOLITION PLAN

3/32" = 1'-0"



## GENERAL NOTES - ELECTRICAL DEMOLITION

1. DRAWINGS SHOW MAJOR DEMOLITION ONLY; THE CONTRACTOR SHALL PROVIDE ALL DEMOLITION FOR THE COMPLETION OF THE WORK WHETHER EXPLICITLY SHOWN OR NOT.
2. THE OWNER RESERVES THE RIGHT TO KEEP ANY REMOVED EQUIPMENT OR MATERIALS. ALL DEMOLITION DEBRIS TO BE REMOVED FROM THE SITE AND DISPOSED OF IN AN APPROVED LANDFILL.
3. THE CONTRACTOR SHALL BE RESPONSIBLE FOR ANY TEMPORARY EXTERIOR OPENINGS MADE FROM DEMOLITION WORK TO ENSURE THEY ARE WEATHER TIGHT AT THE END OF EACH DAY.
4. THE ELECTRICAL CONTRACTOR IS RESPONSIBLE FOR ALL PATCHING WHERE CONDUITS AND JUNCTION BOXES ARE REMOVED UNLESS OTHERWISE NOTED.
5. ANY JUNCTION BOXES REMAINING IN PLACE THAT HAVE HAD DEVICES REMOVED ARE TO RECEIVE BLANK COVER PLATES MATCHING PROJECT REQUIREMENTS.
6. CONDUITS AND CONDUCTORS ABANDONED AS PART OF THE WORK SHALL BE DEMOLISHED WHERE NOT BURIED IN WALLS OR UNDERGROUND. CAP OR PLUG ANY ABANDONED CONDUITS THAT REMAIN.
7. WHERE DEVICES ARE REMOVED FROM THE MIDDLE OF A CIRCUIT, THE CONTRACTOR SHALL BE RESPONSIBLE TO RE-ROUTE THE CIRCUIT TO MAINTAIN CIRCUIT INTEGRITY TO REMAINING DEVICES.
8. CONTRACTOR TO NOTIFY ENGINEER OF ANY DISCREPANCIES FOUND IN EXISTING CONDITIONS.
9. CONTRACTOR TO COORDINATE WITH THE OWNER OR ENGINEER A MINIMUM OF 24 HOURS IN ADVANCE OF SHUTTING OFF OR DISCONNECTING ANY UTILITIES. CONTRACTOR TO ENSURE ALL EXISTING SYSTEMS TO REMAIN ARE MAINTAINED THROUGHOUT THE DURATION OF THE PROJECT UNLESS OTHERWISE DIRECTED BY THE ENGINEER/OWNER.
10. CONTRACTOR TO TAKE ALL PRECAUTIONS NECESSARY TO PROTECT ITEMS NOT INTENDED TO BE DEMOLISHED AND TO RESTORE TO EXISTING CONDITIONS ANY ITEMS DAMAGED THAT WERE NOT INTENDED TO BE DEMOLISHED.

## XX SHEET KEYNOTES - ELEC. DEMOLITION

- |    |   |
|----|---|
| 1  | REMOVE CONNECTION TO WATER HEATER. REMOVE CONDUIT AND CONDUCTORS BACK TO SOURCE.                      |
| 2  | REMOVE CONNECTION TO MECHANICAL EQUIPMENT. REMOVE DISCONNECTS, CONDUIT AND CONDUCTORS BACK TO SOURCE. |
| 3  | REMOVE CONNECTION TO UNIT HEATER. REMOVE DISCONNECT, CONDUIT AND CONDUCTORS BACK TO SOURCE.           |
| 4  | REMOVE LIGHT FIXTURE. REMOVE CONDUIT AND CONDUCTORS BACK TO SOURCE OR NEAREST FIXTURE TO REMAIN.      |
| 5  | REMOVE LIGHT SWITCH. REMOVE CONDUCTORS BACK TO SOURCE.  |
| 6  | REMOVE MOTOR STARTER/HOA SWITCH. REMOVE CONDUIT AND CONDUCTORS BACK TO SOURCE.                        |
| 7  |   |
| 8  |   |
| 9  |   |
| 10 |   |
| 11 |   |



ARCHITECTS ENGINEERS PLANNERS

424 Hancock Street  
Hancock, MI 49930  
PH 906.482.0535 | F 906.482.6453

OHM-ADVISORS.COM

OHM PROJECT No.  
7136-22-0060

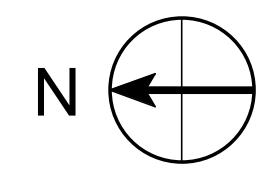
STATE OF MICHIGAN  
DEPARTMENT OF TECHNOLOGY, MANAGEMENT AND BUDGET  
STATE FACILITIES ADMINISTRATION  
DESIGN AND CONSTRUCTION DIVISION  
ADAM P. LACH, RA, DIRECTOR

### 1ST FLOOR ELECTRICAL DEMOLITION PLAN

**Marquette Army Replace Boiler**  
DEPARTMENT OF MILITARY & VETERANS AFFAIRS

95% REVIEW 2022/06/15

SHEET <b>EDP101</b>	IDENTIFICATION No.	ISSUED FOR	DESIGNED	DESIGNER
	DTMB FILE NUMBER: 151122046 (BB) ACCOUNTING TEMP: 26021038	PRELIMINARY CONSTRUCTION FINAL RECORD	DRAWN CHECKED APPROVED	DESIGNER CHECKER APPROVER
			DATE	
			2022/06/15	
			xxxxxx/xx	
			xxxxxx/xx	



### BRANCH PANEL: LP-C\_DEMO

LOCATION: HEATER RM 124      VOLTS: 120/208 Single      SCCR RATING:  
 SUPPLY FROM:      PHASES: 1      MAINS TYPE: MLO  
 MOUNTING: SURFACE      WIRES: 3      MCB RATING: N/A  
 ENCLOSURE: TYPE 1

NOTES:  
 BOLD ITALIC TEXT DENOTES DEMOLITION

IDENTIFICATION	WIRE	POLE	AMP	CKT	A	B	A	B	CKT	AMP	POLE	WIRE	IDENTIFICATION
RECEPT-UNIT STORAGE &...	--	1	20	1	0.00		0.00		2	20	1	--	RECEPT-E.M. STORAGE &...
RECEPT-WOMANS BATHROOM	--	1	20	3		0.00		0.00	4	20	1	--	RECEPT-BOILER &...
RECEPT-DAYROOM AND...	--	1	20	5	0.00		0.00		6	20	1	--	LIGHTS-VAULT,SIGNAL UTILIT...
RCAS-TRAINING OFFICE,PC4	--	1	20	7		0.00		0.00	8	20	1	--	LIGHTS-UNIT STORAGE
LIGHTS-ENTRANCE	--	1	20	9	0.00		0.00		10	20	1	--	LOBBY LIGHTS
LIGHTS-PUBLIC...	--	1	20	11		0.00		0.00	12	20	1	--	LIGHTS-ORDERLY RM,OFFICE
LIGHTS-LIEUT OFFICE	--	1	20	13	0.00		0.00		14	20	1	--	LIGHTS-LIET LOCKER...
LIGHTS-E.M. SHOWER RM	--	1	20	15		0.00		0.00	16	20	1	--	LIGHTS-E.M. LOCKER RM
LIGHTS-E.M. LOCKER RM UNI...	--	1	20	17	0.00		0.00		18	20	1	--	<b>UNIT HEATER-STORAGE RM</b>
AIR CONDITIONER-RM 132	--	1	20	19		0.00		0.00	20	20	1	--	OIL CIRCULATOR
DRINKING FILTER-LOBBY	--	1	20	21	0.00		0.00		22	20	1	--	RECEPT LOBBY
RCAS.PC3-ORDERLY RM	--	1	20	23		0.00		0.00	24	20	1	--	RECEPT-LIEUT OFFICE
<b>CONDENSATE PUMPS</b>	--	1	20	25	0.00		0.00		26	20	1	--	HEATER UNIT VENTS-RM127
LIGHTS-BOILER RM	--	1	20	27		0.00		0.00	28	20	1	--	LIGHTS-DAY ROOM
LIGHTS-CLASSROOM(WEST)[...	--	1	20	29	0.00		0.00		30	20	1	--	LIGHTS-CLASSROOM (EAST)...
SPARE	--	1	20	31		0.00		0.00	32	20	1	--	EXHAUST-E.M. SHOWER RM
EXHAUST-SHOWER TOILET	--	1	20	33	0.00		0.00		34	20	1	--	AIR COMPRESSOR
TIMER SWITCH	--	1	20	35		0.00		0.00	36	20	1	--	BOILER ROOM
RCAS.PC2-SUPPLY ROOM	--	1	20	37	0.00		0.00		38				
UNKNOWN	--	1	20	39		0.00		0.00	40	20	2	--	AIR CONDITIONER-RM 125-126
<b>CONNECTED LOAD: (kVA)</b>					0.00		0.00						

### BRANCH PANEL: LPA\_DEMO

LOCATION: FOOD STORAGE ARE...      VOLTS: 120/208 Single      SCCR RATING:  
 SUPPLY FROM:      PHASES: 1      MAINS TYPE: MLO  
 MOUNTING: SURFACE      WIRES: 3      MCB RATING: N/A  
 ENCLOSURE: TYPE 1

NOTES:  
 BOLD ITALIC TEXT DENOTES DEMOLITION

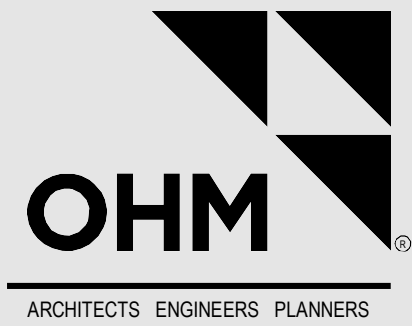
IDENTIFICATION	WIRE	POLE	AMP	CKT	A	B	A	B	CKT	AMP	POLE	WIRE	IDENTIFICATION
GARAGE RECEPT WEST	--	1	20	1	0.00		0.00		2	20	1	--	GARAGE RECEPT EAST
STOREROOM RECEPT	--	1	20	3		0.00		0.00	4	20	1	--	STOREROOM LIGHTS
GARAGE LIGHTS NORTHEAST	--	1	20	5	0.00		0.00		6	20	1	--	MAINT ROOM RECEPT
GARAGE LIGHTS SOUTHEAST	--	1	20	7		0.00		0.00	8	20	1	--	OUTSIDE LIGHTS
GARAGE LIGHTS WEST	--	1	20	9	0.00		0.00		10	20	1	--	MAINT ROOM LIGHTS
GARAGE LIGHTS WEST...	--	1	20	11		0.00		0.00	12	20	1	--	UNIT STORAGE LIGHTS
CLASSROOM & OFFICE LIGHTS	--	1	20	13	0.00		0.00		14	20	1	--	RIFLE RANGE LIGHTS WEST
RIFLE RANGE LIGHTS EAST	--	1	20	15		0.00		0.00	16	20	1	--	RIFLE RANGE RECEPT
RIFLE RANGE SUMP PUMP	--	1	20	17	0.00		0.00		18	20	1	--	MAINT SHIP A/C
AT&T RECEPT	--	1	20	19		0.00		0.00	20	20	1	--	MAINT SHIP A/C
MAINT ROOM HEATER	--	1	20	21	0.00		0.00		22	20	1	--	<b>UNIT HEATERS EAST</b>
<b>UNIT HEATERS WEST</b>	--	1	20	23	0.00		0.00		24	20	1	--	<b>UNIT HEATERS NORTH</b>
<b>UNIT HEATERS SOUTH</b>	--	1	20	25	0.00		0.00		26	20	1	--	FIRINGLINE STRWL LIGHTS
ASSEMBLY HALL EXHAUST	--	1	20	27		0.00		0.00	28	20	1	--	SIGNAL ROOM
SIGNAL ROOM	--	1	20	29	0.00		0.00		30	20	1	--	RECEPT BELOW PANEL
TIRE CHANGER	--	1	20	31		0.00		0.00	32	20	1	--	GARAGE CEILING FANS
TIRE CHANGER	--	1	20	33	0.00		0.00		34	20	1	--	DISPATCH OFFICE LIGHTS
<b>CONNECTED LOAD: (kVA)</b>					0.00		0.00						

### EXISTING BRANCH PANEL: PP1\_DEMO

LOCATION: HEATER RM 124      VOLTS: 120/208 Wye      SCCR RATING:  
 SUPPLY FROM:      PHASES: 3      MAINS TYPE: MLO  
 MOUNTING: SURFACE      WIRES: 4      MCB RATING: N/A  
 ENCLOSURE: TYPE 1

NOTES:  
 BOLD ITALIC TEXT DENOTES DEMOLITION

IDENTIFICATION	WIRE	POLE	AMP	CKT	A	B	C	A	B	C	CKT	AMP	POLE	WIRE	IDENTIFICATION
UNKNOWN	--	2	50	1	0.00			0.00			2				UNKNOWN
				3		0.00			0.00		4	100	2	--	
<b>BOILER</b>	--	3	50	5		0.00			0.00		6				BAR SUBPANEL
				7	0.00			0.00			8	50	3	--	
				9		0.00			0.00		10				
PUMP P2	--	3	50	11		0.00			0.00		12				PUMP P1
				13	0.00			0.00			14	50	3	--	
				15		0.00			0.00		16				
OIL HEATER	--	3	50	17		0.00			0.00		18				NEW BUILDING/FURNACE
				19	0.00			0.00			20	50	3	--	
				21		0.00			0.00		22				
				23							24				
				25							26				
				27							28				
<b>CONNECTED LOAD: (kVA)</b>					0.00		0.00		0.00						



ARCHITECTS ENGINEERS PLANNERS  
 424 Hancock Street  
 Hancock, MI 49930  
 PH 906.482.0535 | F 906.482.6453

OHM-ADVISORS.COM  
 OHM PROJECT No.  
 7136-22-0060

STATE OF MICHIGAN  
 DEPARTMENT OF TECHNOLOGY, MANAGEMENT AND BUDGET  
 STATE FACILITIES ADMINISTRATION  
 DESIGN AND CONSTRUCTION DIVISION  
 ADAM P. LACH, RA, DIRECTOR



### ELECTRICAL DEMOLITION SCHEDULES

Marquette Army Replace Boiler  
 DEPARTMENT OF MILITARY & VETERANS AFFAIRS

95% REVIEW      2022/06/15

DESIGNED      Designer  
 DRAWN      Drawn  
 CHECKED      Checker  
 APPROVED      Approver

DATE  
 2022/06/15  
 xxxxxx/xx  
 xxxxxx/xx

ISSUED FOR  
 PRELIMINARY  
 CONSTRUCTION  
 FINAL RECORD

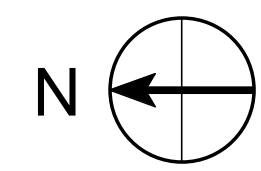
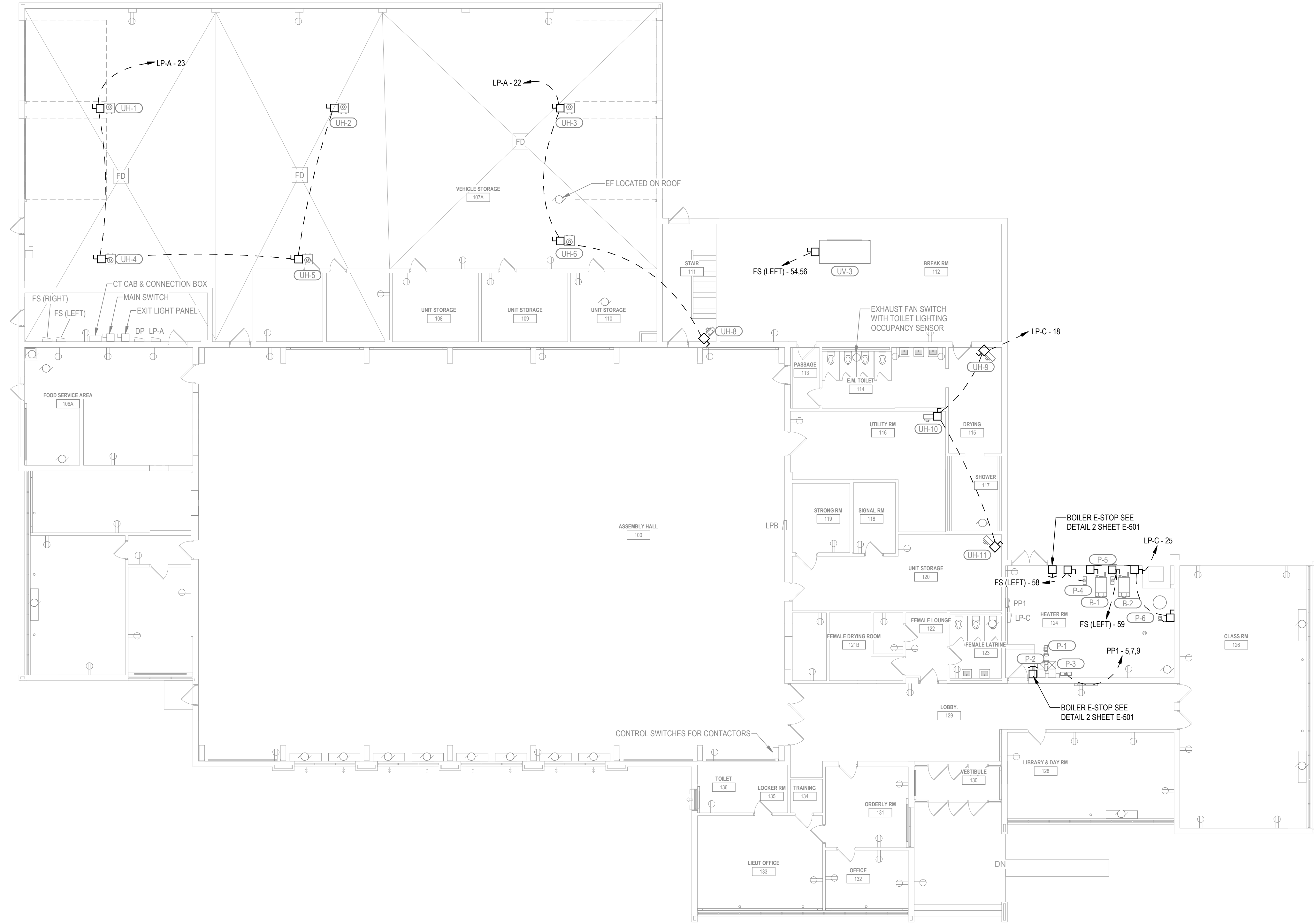
IDENTIFICATION No.  
 DTMB FILE NUMBER:  
 15112206 (BR)  
 ACCOUNTING TEMP:  
 26021038

SHEET  
 ED501

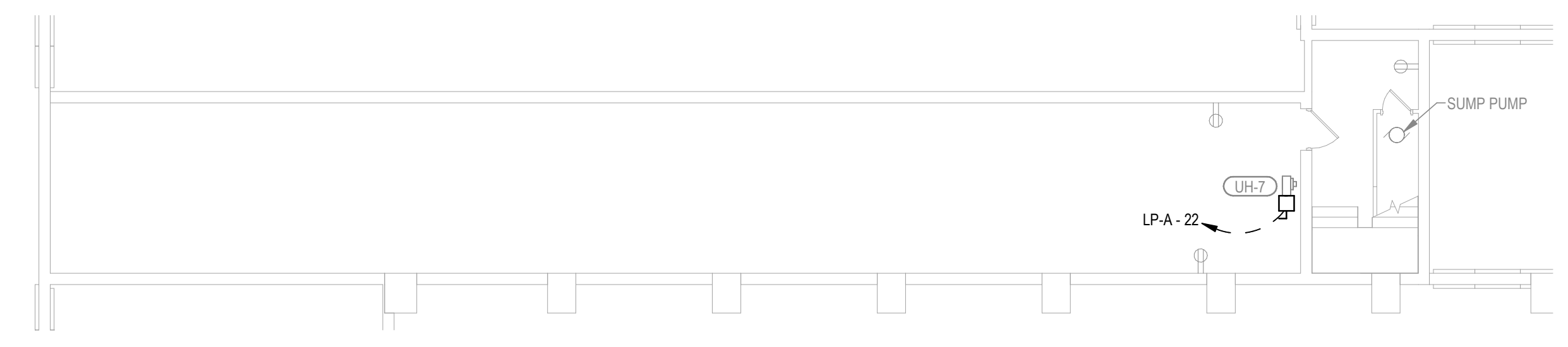


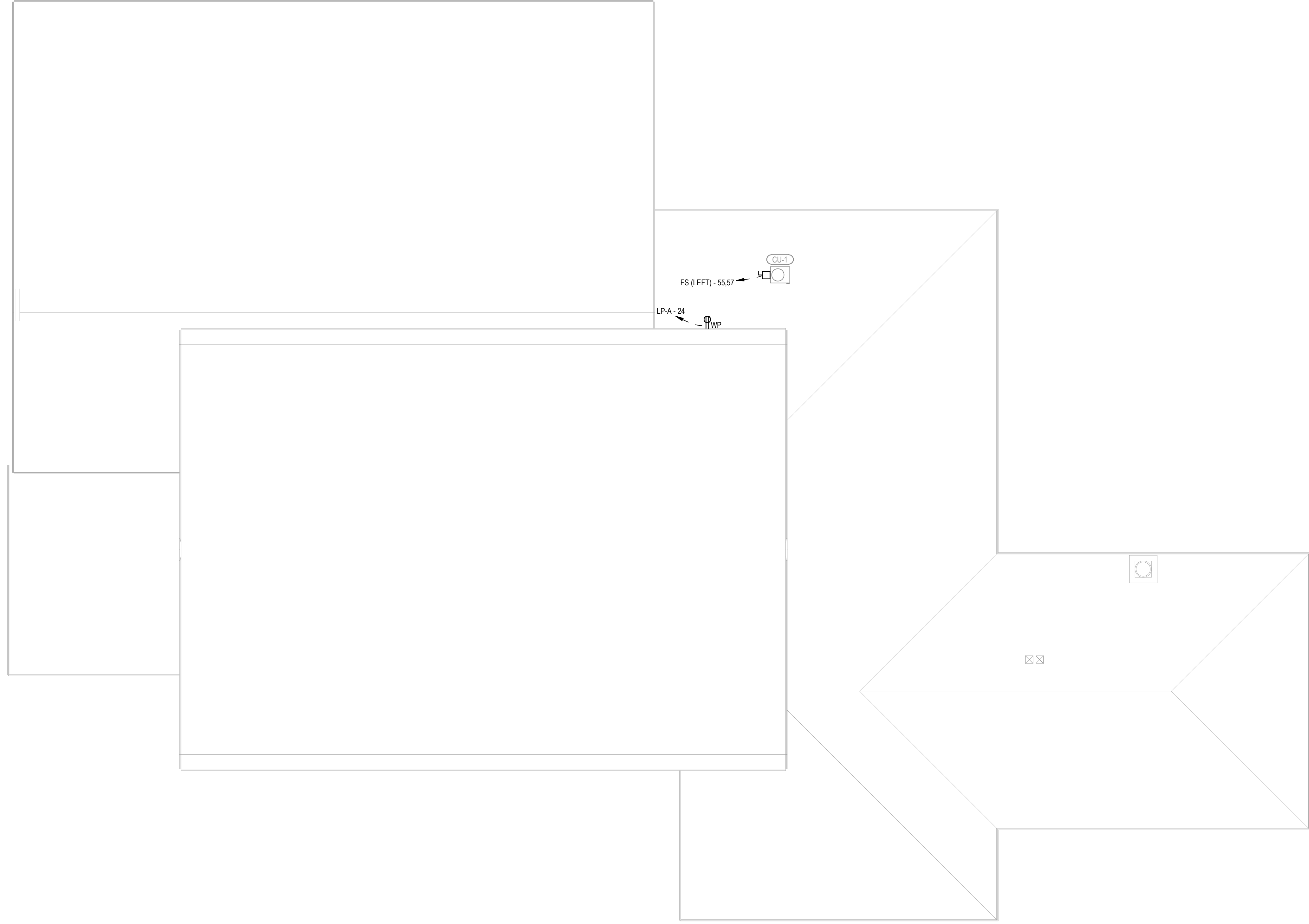
SHEET <b>EP101</b>	IDENTIFICATION No.	ISSUED FOR	DATE	DESIGNED	DESIGNER
	DTMB FILE NUMBER: 151122016 (BR)	PRELIMINARY	2022/06/15	DRAWN	CHECKER
	ACCOUNTING TEMP: 26021038	CONSTRUCTION	xxxx/xx/xx	CHECKED	APPROVED
		FINAL RECORD	xxxx/xx/xx	APPROVED	APPROVED

**1 1ST FLOOR POWER PLAN**  
3/32" = 1'-0"



**2 BASEMENT POWER PLAN**  
3/32" = 1'-0"





**1** ROOF POWER PLAN  
3/32" = 1'-0"

**OHM**  
ARCHITECTS ENGINEERS PLANNERS

424 Hancock Street  
Hancock, MI 49930  
PH 906.482.0535 | F 906.482.6453

OHM-ADVISORS.COM

OHM PROJECT No.  
7136-22-0060

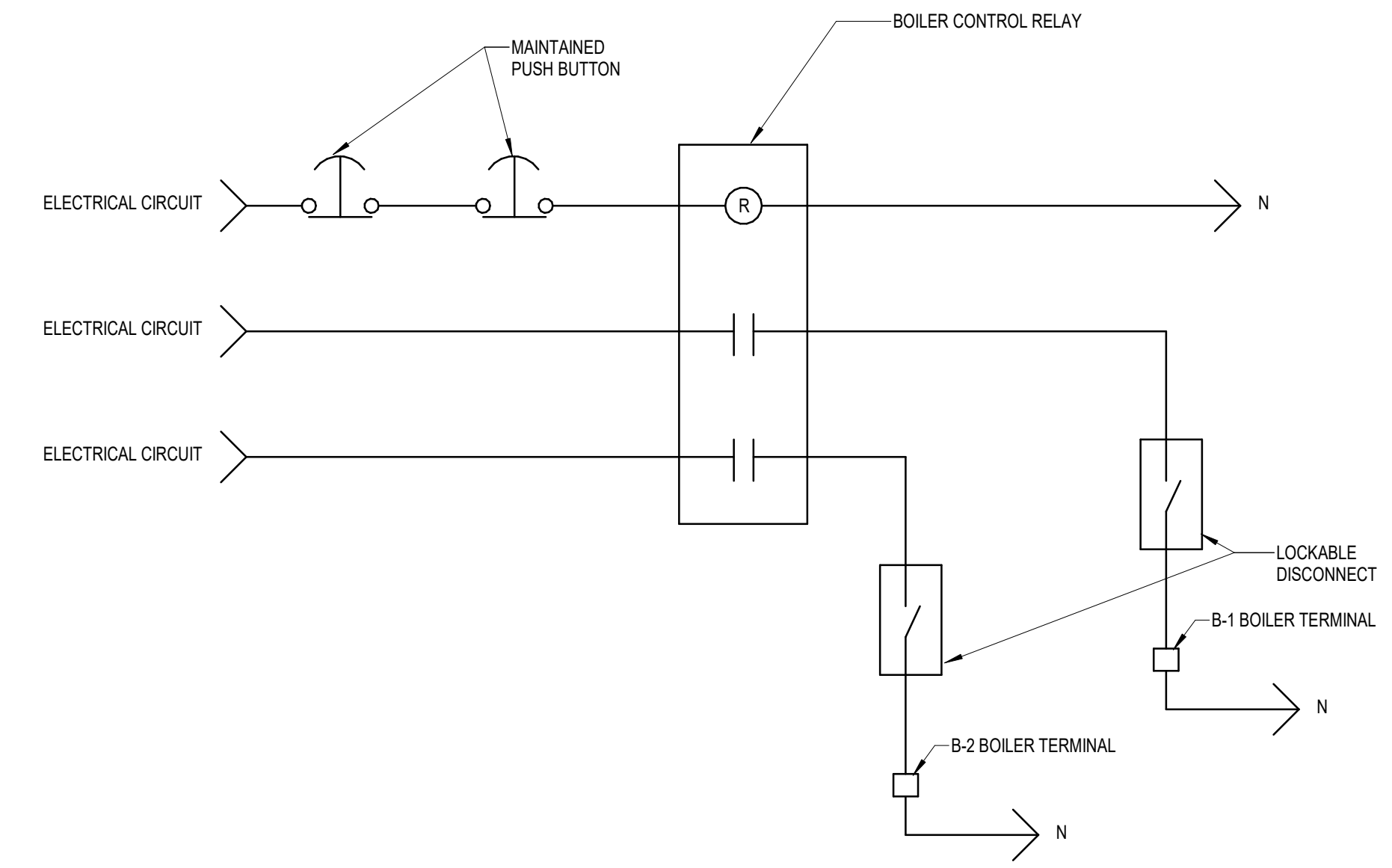
STATE OF MICHIGAN  
DEPARTMENT OF TECHNOLOGY, MANAGEMENT AND BUDGET  
STATE FACILITIES ADMINISTRATION  
DESIGN AND CONSTRUCTION DIVISION  
ADAM P. LACH, R.A., DIRECTOR

ROOF POWER PLAN  
**Marquette Army Replace Boiler**  
DEPARTMENT OF MILITARY & VETERANS AFFAIRS

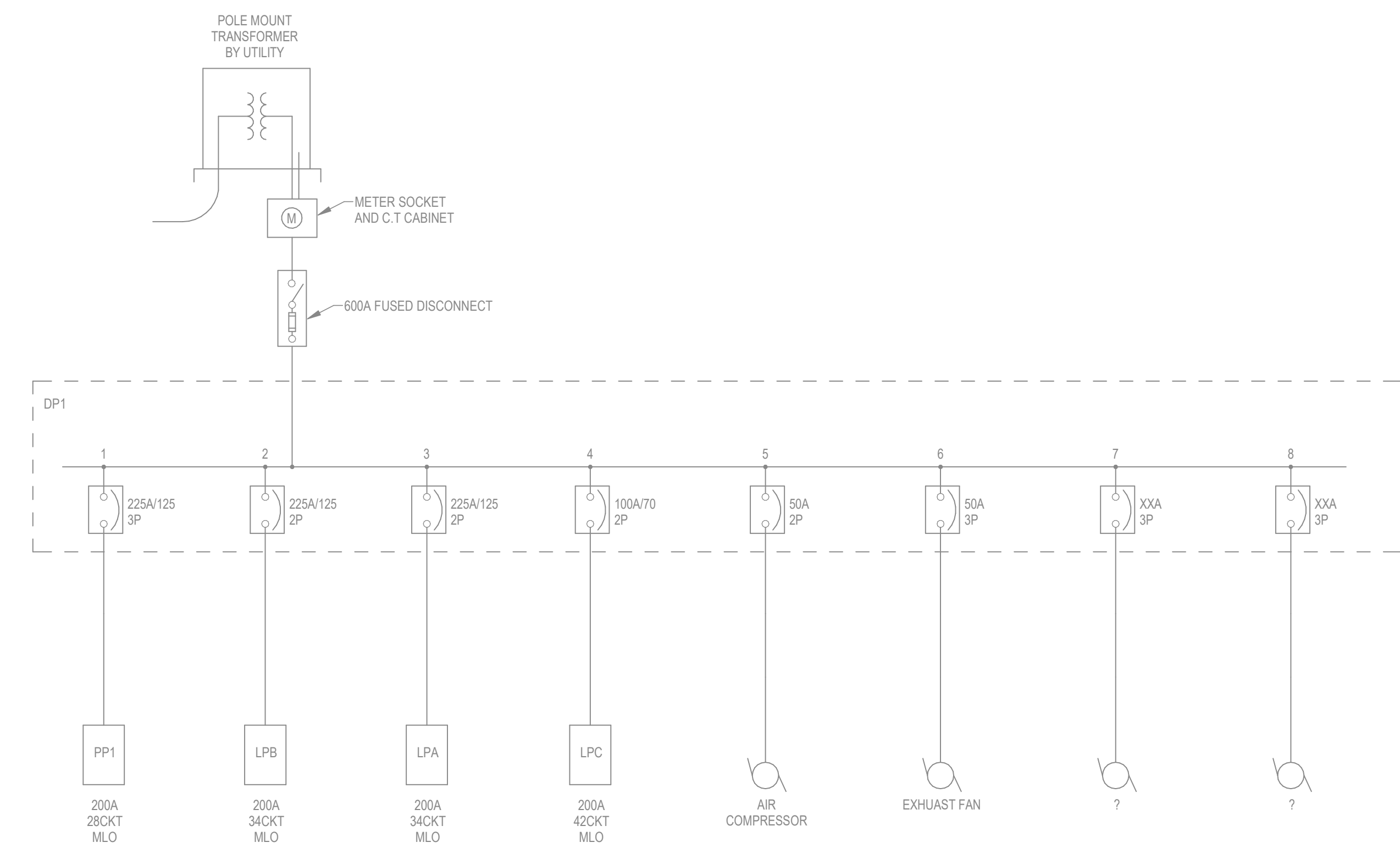
SHEET <b>EP11</b>	IDENTIFICATION No.	ISSUED FOR	DESIGNED	DESIGNER
	DTB FILE NUMBER: 151122016_BBR ACCOUNTING TEMP: 26021038	PRELIMINARY CONSTRUCTION FINAL RECORD	DRAWN CHECKED APPROVED	DESIGNED CHECKER APPROVER
			DATE	
			2022/06/15	
			xxxxxx/xx	
			xxxxxx/xx	

95% REVIEW 2022/06/15

**2** BOILER EMERGENCY SHUTOFF DETAIL  
12" = 1'-0"



**1** ONE LINE DIAGRAM  
1/8" = 1'-0"



ELECTRICAL DETAILS

Marquette Army Replace Boiler  
DEPARTMENT OF MILITARY & VETERANS AFFAIRS

95% REVIEW 2022/06/15

SHEET <b>E-501</b>	IDENTIFICATION No.	ISSUED FOR	DATE	DESIGNED	DESIGNER
	DTMB FILE NUMBER: 151122046 (BB) ACCOUNTING TEMP: 260221038	PRELIMINARY CONSTRUCTION FINAL RECORD	2022/06/15 xxxx/xx/xx xxxx/xx/xx	DRAWN CHECKED APPROVED	Designer Checker Approver

### EXISTING BRANCH PANEL: LP-C

LOCATION: HEATER RM 124      VOLTS: 120/208 Single      SCCR RATING:  
 SUPPLY FROM:                      PHASES: 1                      MAINS TYPE: MLO  
 MOUNTING: SURFACE                WIRES: 3                      MCB RATING: N/A  
 ENCLOSURE: TYPE 1

NOTES:  
 BOLD ITALIC INDICATES PROPOSED DEVICE

IDENTIFICATION	WIRE	POLE	AMP	CKT	A KVA	B KVA	A KVA	B KVA	CKT	AMP	POLE	WIRE	IDENTIFICATION
RECEPT-UNIT STORAGE &...	--	1	20	1	0.00		0.00		2	20	1	--	RECEPT-E.M. STORAGE &...
RECEPT-WOMEN'S BATHROOM	--	1	20	3		0.00		0.00	4	20	1	--	RECEPT-BOILER...
RECEPT-DAYROOM AND...	--	1	20	5	0.00	0.00			6	20	1	--	LIGHTS-VAULT SIGNAL UTILIT...
RCAS-TRAINING...	--	1	20	7		0.00		0.00	8	20	1	--	LIGHTS-UNIT STORAGE
LIGHTS-ENTRANCE	--	1	20	9	0.00	0.00			10	20	1	--	LOBBY LIGHTS
LIGHTS-PUBLIC...	--	1	20	11		0.00		0.00	12	20	1	--	LIGHTS-ORDERLY RM OFFICE
LIGHTS-LIEUT OFFICE	--	1	20	13	0.00	0.00			14	20	1	--	LIGHTS-LIET LOCKER...
LIGHTS-E.M. SHOWER RM	--	1	20	15		0.00		0.00	16	20	1	--	LIGHTS-E.M. LOCKER RM
LIGHTS-E.M. LOCKER RM UNI...	--	1	20	17	0.00	0.00			18	20	1	12	UH-9, UH-10, UH-11
AIR CONDITIONER-RM 132	--	1	20	19		0.00		0.00	20	20	1	--	OIL CIRCULATOR
DRINKING FILTER-LOBBY	--	1	20	21	0.00	0.00			22	20	1	--	RECEPT LOBBY
RCAS,PC3-ORDERLY RM	--	1	20	23		0.00		0.00	24	20	1	--	RECEPT-LIET OFFICE
BOILERS B-1 AND B-2	12	1	20	25	0.00	0.00			26	20	1	--	HEATER UNIT VENTS-RM127
LIGHTS-BOILER RM	--	1	20	27		0.00		0.00	28	20	1	--	LIGHTS-DAY ROOM
LIGHTS-CLASSROOM(WEST)...	--	1	20	29	0.00	0.00			30	20	1	--	LIGHTS-CLASSROOM (EAST)...
SPARE	--	1	20	31		0.00		0.00	32	20	1	--	EXHAUST-E.M. SHOWER RM
EXHAUST-SHOWER TOILET	--	1	20	33	0.00	0.00			34	20	1	--	AIR COMPRESSOR
TIMER SWITCH	--	1	20	35		0.00		0.00	36	20	1	--	BOILER ROOM
RCAS,PC2-SUPPLY ROOM	--	1	20	37	0.00	0.00			38				
UNKNOWN	--	1	20	39		0.00		0.00	40	20	2	--	AIR CONDITIONER-RM 125-126
<b>CONNECTED LOAD: (kVA)</b>					0.00			0.00					

### EXISTING BRANCH PANEL: LPB

LOCATION: ASSEMBLY HALL 100      VOLTS: 120/208 Single      SCCR RATING:  
 SUPPLY FROM:                      PHASES: 1                      MAINS TYPE: MLO  
 MOUNTING: SURFACE                WIRES: 3                      MCB RATING: N/A  
 ENCLOSURE: TYPE 1

NOTES:

IDENTIFICATION	WIRE	POLE	AMP	CKT	A KVA	B KVA	A KVA	B KVA	CKT	AMP	POLE	WIRE	IDENTIFICATION
LIGHTS-ASSEMBLY HALL	--	1	20	1	0.00	0.00			2	20	1	--	LIGHTS-ASSEMBLY HALL
LIGHTS-ASSEMBLY HALL	--	1	20	3		0.00		0.00	4	20	1	--	LIGHTS-ASSEMBLY HALL
LIGHTS-ASSEMBLY HALL	--	1	20	5	0.00	0.00			6	20	1	--	LIGHTS-ASSEMBLY HALL
LIGHTS-ASSEMBLY HALL	--	1	20	7		0.00		0.00	8	20	1	--	LIGHTS-ASSEMBLY HALL
LIGHTS-ASSEMBLY HALL	--	1	20	9	0.00	0.00			10	20	1	--	LIGHTS-ASSEMBLY HALL
LIGHTS-ASSEMBLY HALL	--	1	20	11		0.00		0.00	12	20	1	--	LIGHTS-ASSEMBLY HALL
LIGHTS-ASSEMBLY HALL	--	1	20	13	0.00	0.00			14	20	1	--	LIGHTS-ASSEMBLY HALL
UNKNOWN	--	1	20	15		0.00		0.00	16	20	1	--	UNKNOWN
UNKNOWN	--	1	20	17	0.00	0.00			18	20	1	--	UNKNOWN
RECEPT-EAST	--	1	20	19		0.00		0.00	20	20	1	--	UNKNOWN
UNKNOWN	--	1	20	21	0.00	0.00			22	20	1	--	UNIT VENT MOTORS
UNIT VENT MOTORS	--	1	20	23		0.00		0.00	24	20	1	--	
SPARE	--	1	20	25	0.00	0.00			26	20	1	--	SPARE
ASSEMBLY HALL CONTACTOR	--	1	20	27		0.00		0.00	28	20	1	--	ASSEMBLY HALL CONTACTOR
ASSEMBLY HALL CONTACTOR	--	1	20	29	0.00	0.00			30	20	1	--	ASSEMBLY HALL CONTACTOR
	--	1	20	31		0.00		0.00	32	20	1	--	
<b>CONNECTED LOAD: (kVA)</b>					0.00			0.00					

### EXISTING BRANCH PANEL: LP-A

LOCATION: FOOD STORAGE ARE...      VOLTS: 120/208 Single      SCCR RATING:  
 SUPPLY FROM:                      PHASES: 1                      MAINS TYPE: MLO  
 MOUNTING: SURFACE                WIRES: 3                      MCB RATING: N/A  
 ENCLOSURE: TYPE 1

NOTES:  
 BOLD ITALIC INDICATES PROPOSED DEVICE

IDENTIFICATION	WIRE	POLE	AMP	CKT	A KVA	B KVA	A KVA	B KVA	CKT	AMP	POLE	WIRE	IDENTIFICATION
GARAGE RECEPT WEST	--	1	20	1	0.00	0.00			2	20	1	--	GARAGE RECEPT EAST
STOREROOM RECEPT	--	1	20	3		0.00		0.00	4	20	1	--	STOREROOM LIGHTS
GARAGE LIGHTS NORTHEAST	--	1	20	5	0.00	0.00			6	20	1	--	MAINT ROOM RECEPT
GARAGE LIGHTS SOUTHEAST	--	1	20	7		0.00		0.00	8	20	1	--	OUTSIDE LIGHTS
GARAGE LIGHTS WEST	--	1	20	9	0.00	0.00			10	20	1	--	MAINT ROOM LIGHTS
GARAGE LIGHTS WEST...	--	1	20	11		0.00		0.00	12	20	1	--	UNIT STORAGE LIGHTS
CLASSROOM & OFFICE LIGHTS	--	1	20	13	0.00	0.00			14	20	1	--	RIFLE RANGE LIGHTS WEST
RIFLE RANGE LIGHTS EAST	--	1	20	15		0.00		0.00	16	20	1	--	RIFLE RANGE RECEPT
RIFLE RANGE SUMP PUMP	--	1	20	17	0.00	0.00			18	20	1	--	MAINT SHIP A/C
AT&T RECEPT	--	1	20	19		0.00		0.00	20	20	1	--	MAINT SHIP A/C
MAINT ROOM HEATER	--	1	20	21	0.00	0.00			22	20	1	12	UH-3, UH-6, UH-7, UH-8
UH-1, UH-2, UH-4, UH-5	12	1	20	23	0.00	0.00	0.18	0.18	24	20	1	12	RECEPT-ROOF
SPARE	--	1	20	25	0.00	0.00			26	20	1	--	FIRINGLINE STRWL LIGHTS
ASSEMBLY HALL EXHAUST	--	1	20	27		0.00		0.00	28	20	1	--	SIGNAL ROOM
SIGNAL ROOM	--	1	20	29	0.00	0.00			30	20	1	--	RECEPT BELOW PANEL
TIRE CHANGER	--	1	20	31		0.00		0.00	32	20	1	--	GARAGE CEILING FANS
TIRE CHANGER	--	1	20	33	0.00	0.00			34	20	1	--	DISPATCH OFFICE LIGHTS
<b>CONNECTED LOAD: (kVA)</b>					0.00			0.00					

### EXISTING BRANCH PANEL: DP

LOCATION: FOOD STORAGE ARE...      VOLTS: 120/208 Wye      SCCR RATING:  
 SUPPLY FROM:                      PHASES: 3                      MAINS TYPE: MLO  
 MOUNTING: SURFACE                WIRES: 4                      MCB RATING: N/A  
 ENCLOSURE: TYPE 1

NOTES:

IDENTIFICATION	WIRE	POLE	AMP	CKT	A KVA	B KVA	C KVA	A KVA	B KVA	C KVA	CKT	AMP	POLE	WIRE	IDENTIFICATION	
SPACE	--	3	--					0.00				2			BASEMENT EXHAUST SMALL COMPRESSOR FAN	
									0.00			4	60	3	--	
										0.00		6				
SPACE	--	3	--					0.00				8			OMS COMPRESSOR, SINGLE PHASE FOR NEW COMPRESSOR	
									0.00			10	50	3	--	
										0.00		12				
SPACE	--	1	--					0.00				14				
									0.00			16	50	3	--	UNKNOWN
BOILER ROOM LIGHTS	--	2	100					0.00				18				
										0.00		20				
SPACE	--	3	--									22	--	3	--	SPACE
												24				
GARAGE	--	2	20					0.00				26	125	2	--	SPARE
									0.00			28				
SPACE	--	3	--									30	--	3	--	SPACE
												32				
												34				
SPACE	--	3	--									36	--	3	--	SPACE
												38				
												40				
ASSEMBLY HALL	--	2	20					0.00				42	225	2	--	BOILER ROOM POWER
									0.00			44				
SPACE	--	3	--									46	--	3	--	SPACE
												48				
												50				
<b>CONNECTED LOAD: (kVA)</b>					0.00			0.00								

### EXISTING BRANCH PANEL: FS (RIGHT)

LOCATION: FOOD STORAGE ARE...      VOLTS: 120/208 Wye      SCCR RATING:  
 SUPPLY FROM:                      PHASES: 3                      MAINS TYPE: MCB  
 MOUNTING: SURFACE                WIRES: 4                      MCB RATING: 250 A  
 ENCLOSURE: TYPE 1

NOTES:

IDENTIFICATION	WIRE	POLE	AMP	CKT	A KVA	B KVA	C KVA	A KVA	B KVA	C KVA	CKT	AMP	POLE	WIRE	IDENTIFICATION
LIGHTS-FOOD SERVICE	--	1	20	1	0.00			0.00			2	20	1	--	LIGHTS-SCULLERY AREA
LIGHTS-FOOD STORAGE	--	1	20	3		0.00		0.00		0.00	4	20	1	--	RECEPTS-FOOD STORAGE
#3 MIXER DUPLEX RECEPT	--	1	20	5		0.00			0.00	0.00	6	20	1	--	DISHWASHER EXHAUST HOOD
											8	20	1	--	WATER HEATER CIRC PUMPS
COFFEE MAKER	--	3	45					0.00		0.00	10				
											12	20	3	--	ROOF COMBO EXHAUST FAN MAKE UP AIR UNIT
FOOD STORAGE RM EXHAUS...	--	1	20	13	0.00			0.00			14				
#16 COLD FOOD PAN	--	1	20	15		0.00			0.00		16	20	2	--	SHUNT TRIP GAS RANGE RECEPT
HOT FOOD PAN	--	2	20					0.00		0.00	18				
											20	20	1	--	COOKING HOOD LIGHTS
											22	20	1	--	COOKING HOOD CONTROL...
#26 GARBAGE DISPOSAL	--	3	20					0.00		0.00	24	20	1	--	#67 FREEZER RECEPT
											26	20	1	--	DAIRY REFRIGERATOR
VEGETABLE RECEPT	--	1	20	27		0.00			0.00		28	20	2	--	SHUNT TRIP #49 STACKED OVER RECEPT
#57 ICE MAKER	--	1	20	29		0.00			0.00		30				
<b>CONNECTED LOAD: (kVA)</b>					3.60			2.90		0.70					

### EXISTING BRANCH PANEL: FS (LEFT)

LOCATION: FOOD STORAGE ARE...      VOLTS: 120/208 Wye      SCCR RATING:  
 SUPPLY FROM: FS (RIGHT)              PHASES: 3                      MAINS TYPE: MCB  
 MOUNTING: SURFACE                WIRES: 4                      MCB RATING: 225 A  
 ENCLOSURE: TYPE 1

NOTES:

BOLD ITALIC INDICATES PROPOSED DEVICE

IDENTIFICATION	WIRE	POLE	AMP	CKT	A KVA	B KVA	C KVA	A KVA	B KVA	C KVA	CKT	AMP	POLE	WIRE	IDENTIFICATION
OFFICE RECEPTS	--	1	20	31	0.00			0.00			32				#54 GARBAGE DISPOSAL
									0.00		34	20	3	--	
DISHWASHER	--	3	60					0.00		0.00	36				
											38				
FOOD PREP RECEPTS	--	1	20	39		0.00			0.00		40	35			